



IMT Oradea
2019
Romania (TNR 30 bold)

Poster Title

Center and use **TNR (Bold) 80**

Authors & Affiliation (TNR 66)



Your University Logo,
Name and Country
(TNR 30 bold)

Keywords (TNR 54)

List the keywords covered in your paper. These keywords will also be used by the publisher to produce a keyword index. (TNR 36)

Introduction

A poster is an abstract of your research. All posters must be in English, also the table and figure texts. Use italic for emphasizing a word or phrase. Do not use boldface typing or capital letters except for section headings (cf. remarks on section headings, below).

Formatting the text

- 36 Times New Roman.
- The text should be set to single line spacing.
- Paragraphs should be justified.

Equations

Equations should be centred and should be numbered with the number on the right-hand side.

$$T_s(l,t) = T_g(l,t) \quad (1)$$

Tables

Tables should be centered.

Table 2. Place table titles above the tables (TNR 32 bold)

Nr.	Operations (TNR 32 bold)	Work place (machine)	Time (min & sec)

Figures (TNR 54)

Figures should be centered.

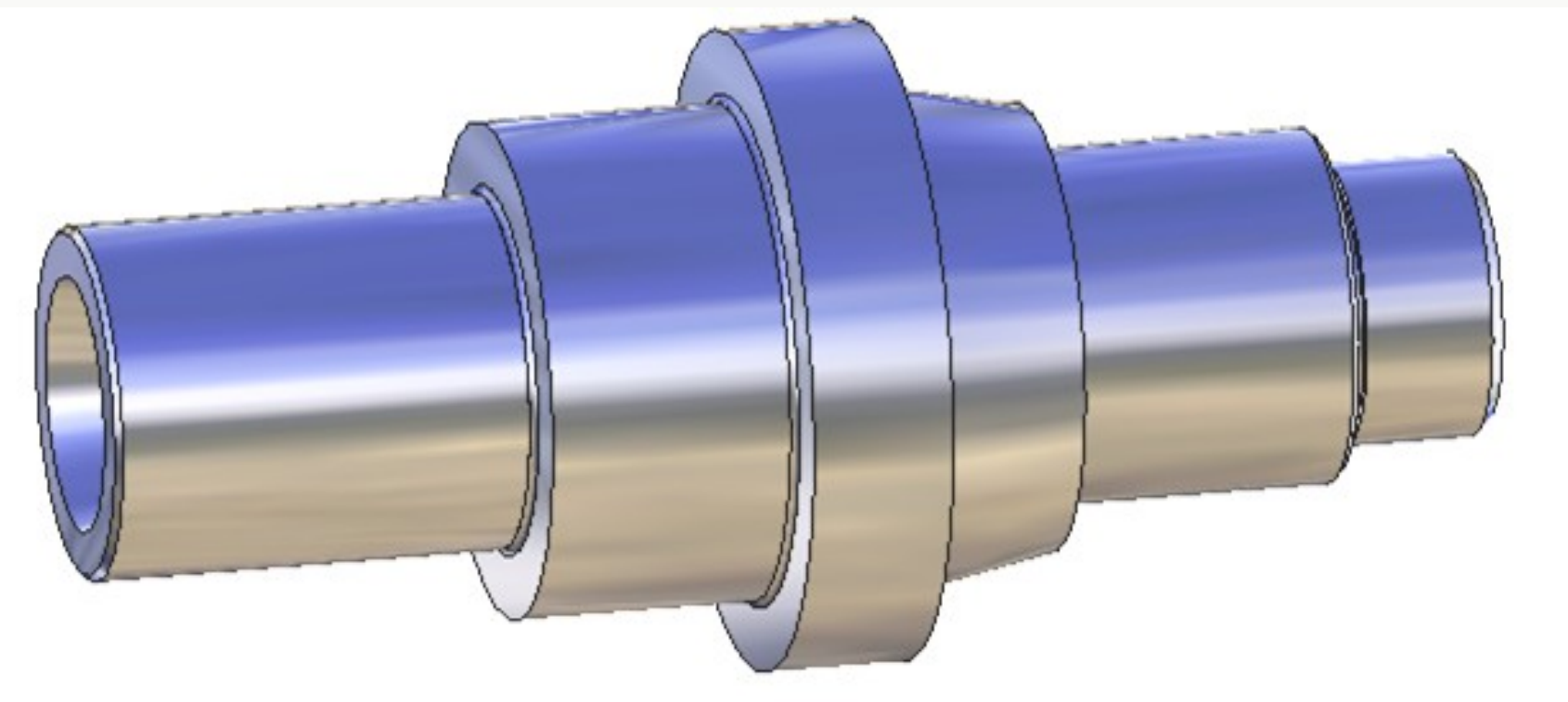


Figure 1. Caption of the figure. Below the figure. (32 TNR bold)

For a good presentation of the poster is necessary to have good quality resolution images.

Is very important that all the images and all the tables that are add, to be relevant for the subject. Try as possible you can to add images that can be sustained by explained text.

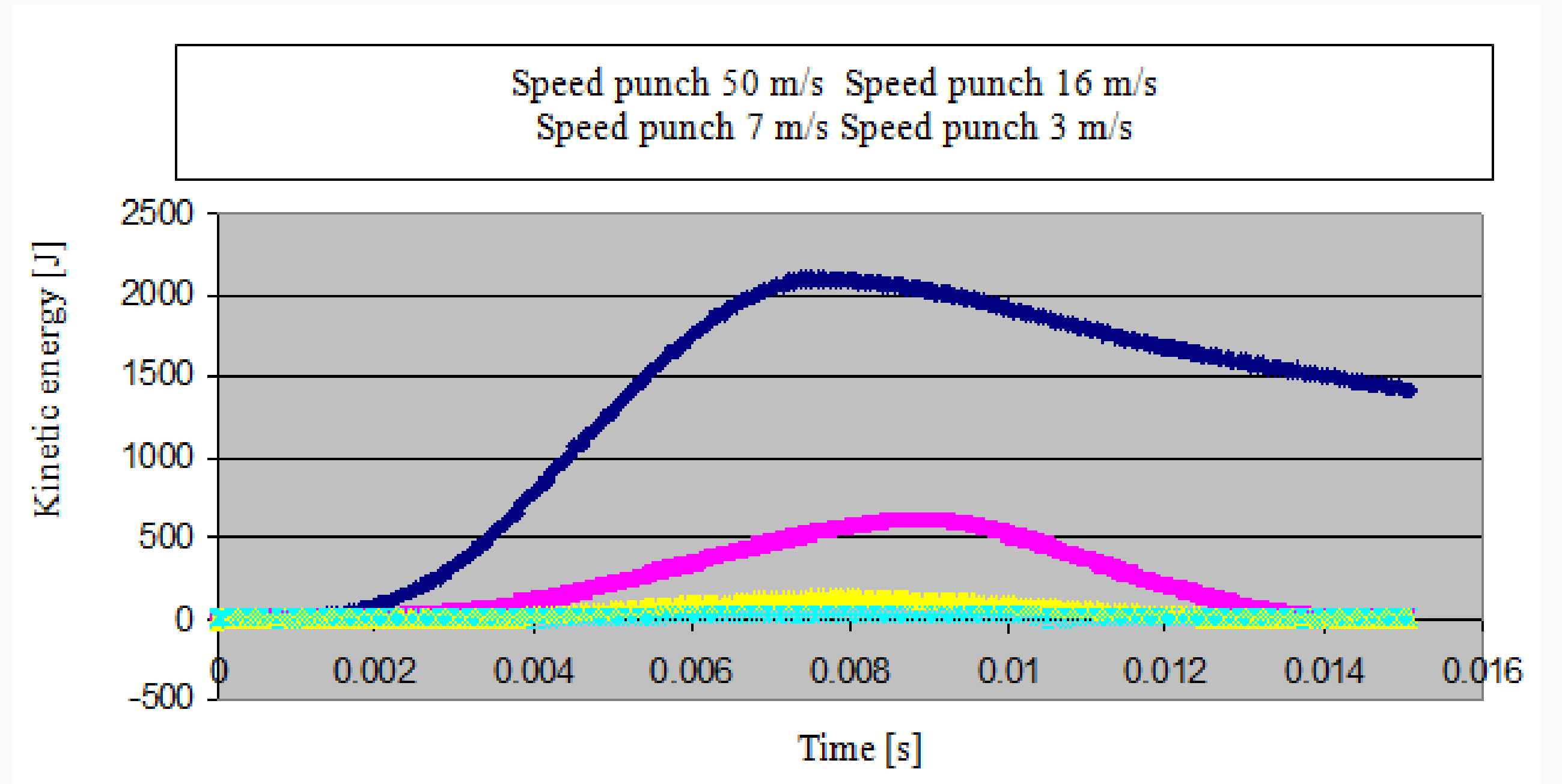


Figure 3. Caption of the figure. Below the figure. (32 TNR bold)

This section should contain the largest number of information, and the presented study should have theoretical and experimental results.

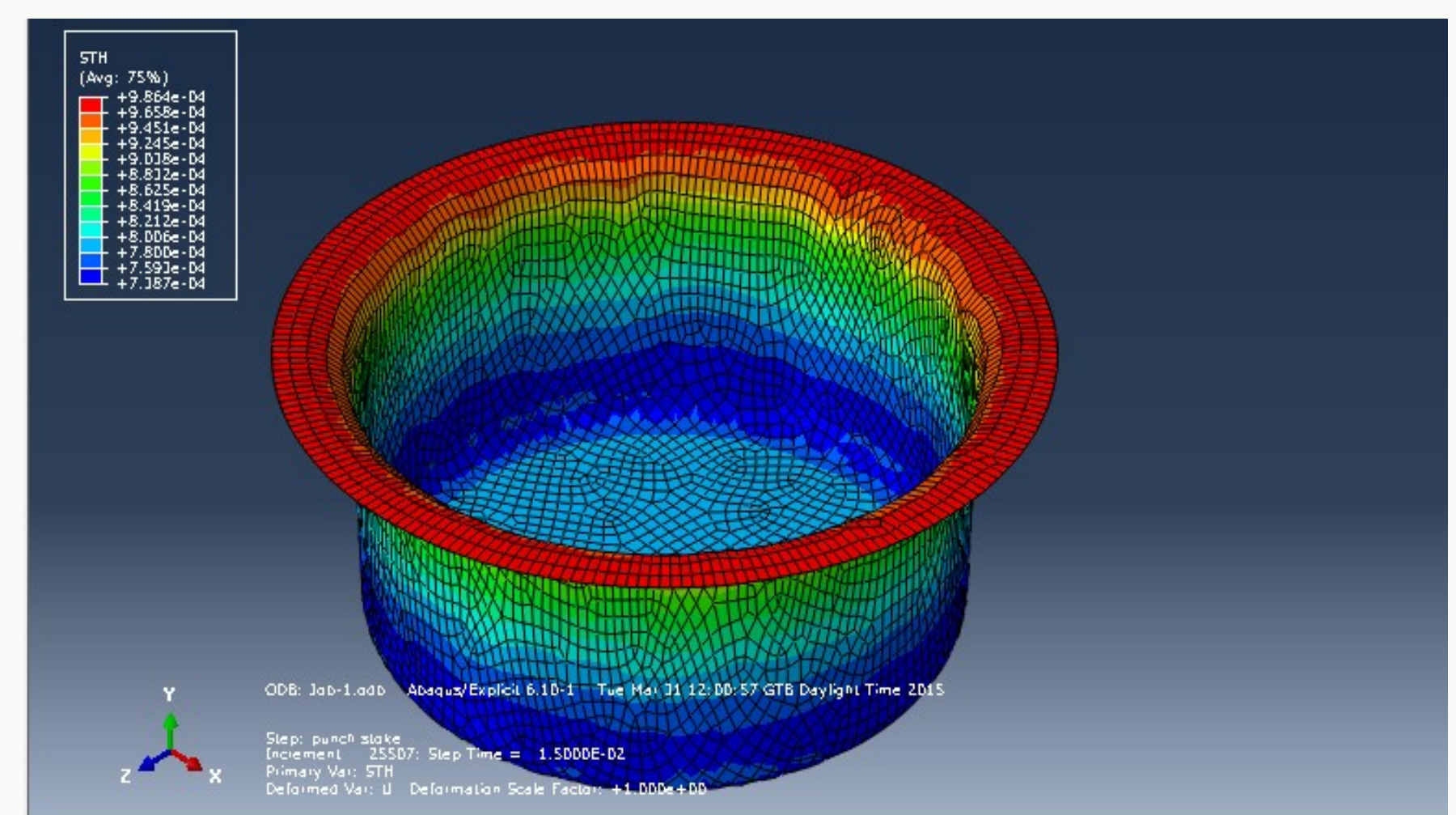


Figure 3. Caption of the figure. Below the figure. (32 TNR bold)

Conclusions

This paragraph contains the most important results presented in the paper, and the relation with future research.

Acknowledgments

Thank for specific contributions (TNR 32).

References

References should be cited in the text by placing sequential numbers in brackets (for example, [1], [2, 5, 7], [8-10]). They should be numbered in the order in which they are cited. A complete reference should provide enough information to locate the article.

The Reference general style is:

Surname initial. Name of the author, The title of the article (*italic*), Collection, Proceedings or Journal (title, edition, volume, Editor Name, where and what applicable), Publishing House, City, year of appearance, pages.